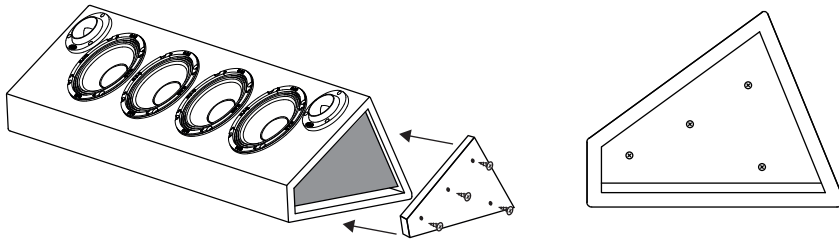


5. SEALED OR VENTED BOX

The enclosure can be used sealed or vented. Leave the included side panels unmounted for a vented enclosure. To seal the enclosure, fit the included side panels to each side of the box and use the included screws to fixate.

The sound characteristics changes between the sealed and the vented option. Before fixing the side panels for a sealed option - test which type of sound best suits your setup by holding the side panels in place with your sound system active without applying the screws. If the once fixated side panels are removed, make sure to seal the remaining screw holes to avoid unwanted noise.



SPECIFICATIONS

Model	PSB4645VS
Size (inch)	4x6,5 inch
Enclosure loadout	4pcs PSM64 midrange 2pcs PST14 tweeters 2pcs PSX024 crossover
Enclosure usage	Sealed or vented
Enclosure material	MDF board
Power RMS (Watt)	360W
Music Power (Watt)	720W
Freq. response (Hz)	95 - 20 000Hz
Impedance (Ohm)	2+2 Ohm
SPL (db)	96 dB
Crossover Frequency	Woofer: LP 5 kHz/6 db Tweeter: HP 6 kHz/12 db

This specified sensitivity is not directly connected with the sound pressure in the vehicle, and therefore should not be used as the sole indicator for comparison with other speakers

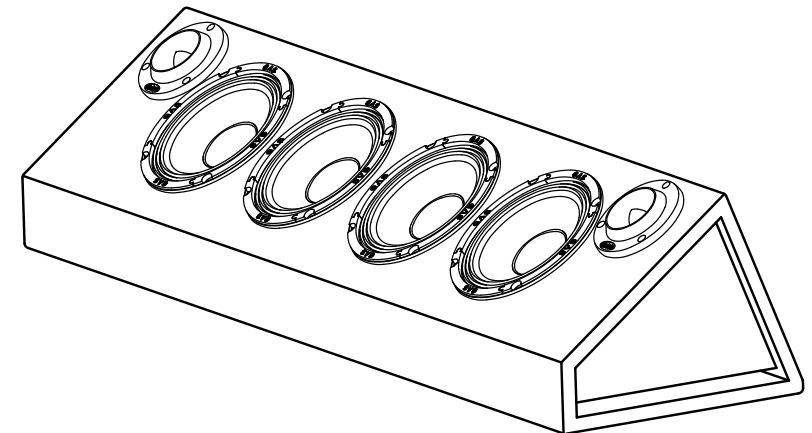


Owners Manual



PRO SPL

PRO SPL BOX - LOADED ENCLOSURE



MODEL: PSB4645VS

www.gascaraudio.com

1. INTRODUCTION

Thank you for purchasing this GAS car audio product! We at GAS are committed to create great products for you by following our simple, yet powerful, premise: **Offer more, charge less!**

To ensure proper use of your purchased product, please carefully read through this manual before using the product. It is especially important that you read and observe caution's in this manual. Please keep the manual in a safe and accessible place for future reference.

2. SAFETY INSTRUCTIONS

1. Fasten the SPL box properly when installing it in the vehicle. If components are disconnected during driving, it may cause serious damage to the passengers of the vehicle or another vehicle
2. Before installing the SPL box, if possible store the box in the original package to avoid accidental damage to the product.
3. Be careful when installing and dismantling the SPL box! Do not let the box drop to avoid damage of its moving parts.
4. When working with tools follow the safety rules.
5. Before the installation, switch off the head unit and all other audio devices to avoid their damage.
6. Make sure that the location of the SPL box does not hinder the proper operation of mechanical and electrical devices of the vehicle.
7. Do not install components in places exposed to water, excessive humidity, high or low temperatures, dust or dirt. **ATTENTION!!** The speakers may be operated at +5 to +40°C. In case of moisture condensation, let the speakers dry.
8. When performing drilling or cutting works with the car, make sure that there is no wiring, brake lines, fuel pipe or other structural elements under the place of work. **Follow the safety rules! Use protective glasses and gloves.**
9. When stretching back the speaker cables, make sure that they are not in contact with sharp edges or moving mechanical devices. Make sure that they are firmly fixed and protected over the entire length.
10. The diameter of the speaker cables must be selected in accordance with the length and applied power.
11. Never stretch the cables outside of the car and near the moving parts of the car. This can lead to destruction of the insulating layer, short circuit and fire.
12. To protect the cables use rubber gaskets if the wire passes through a hole in the metal or if it lies close to the parts exposed to heat.

CAUTION!! High sound pressure can damage your health!
Please use common sense when controlling volume!

3. WARRANTY AND MAINTENANCE INFO

This product is covered by warranty, depending on the conditions in the country where it is sold. If the speaker is returned for service, please include the original dated receipt (or a copy) with the product.

4. INFORMATION ON DISPOSAL OF THE ELECTRICAL & ELECTRONIC EQUIPMENT

Items marked with the "Crisscrossed wheeled bin" are not allowed to be disposed of together with usual household waste. These electrical and electronic products should be disposed of in special reception centers, equipped for recycling such products and components. For information about the location of your nearest disposal/recycling spot and the rules of delivery of waste, please contact your local municipal office. Recycling and proper disposal helps to protect the environment and prevent harmful effects on health.

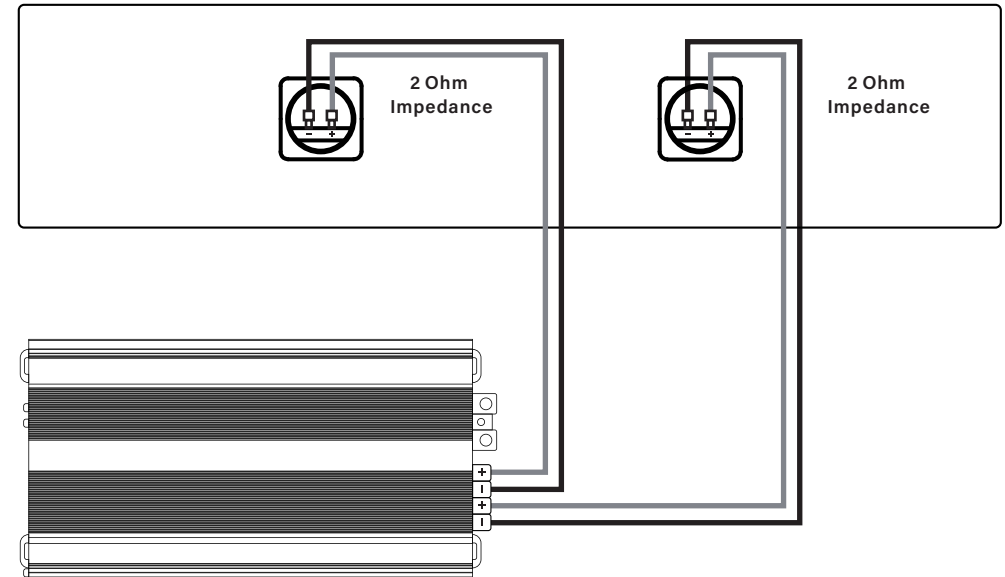


Manufacturer: GAS car audio
Designed & engineered in Sweden

3. WIRING DIAGRAMS

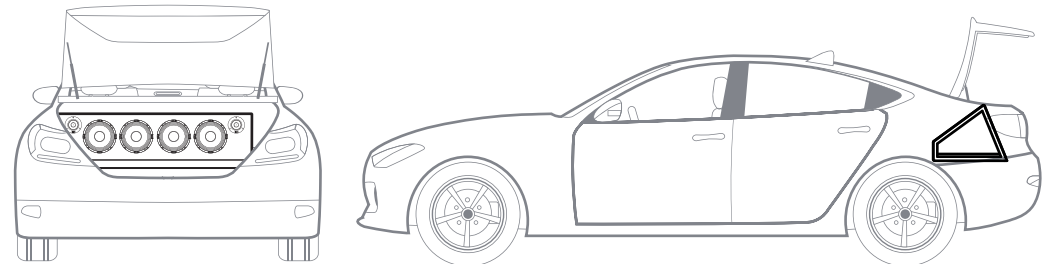
Do not expose your amplifier to loads below the value predetermined by the manufacturer. Example of a type of connection is given at the following page. Use the example below to determine the proper way to install.

WIRING DIAGRAM FOR SPL BOX - LOADED ENCLOSURE



4. INSTALLATION / MOUNTING GUIDELINES

GAS Pro PSB4645VS SPL box – loaded enclosure has been constructed to give you a simple installation with premounted speakers and drivers in the enclosure. **Mount the SPL box in a dry location on a solid surface.** Below is an example where the SPL box has been installed in the trunk of a car.



Manufacturer: GAS car audio
Designed & engineered in Sweden