

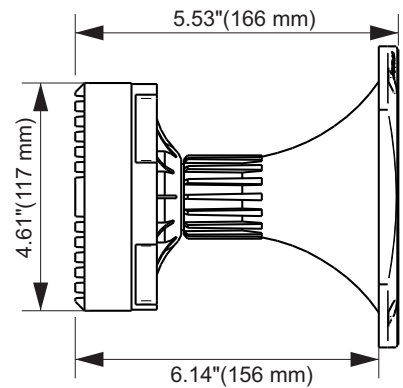
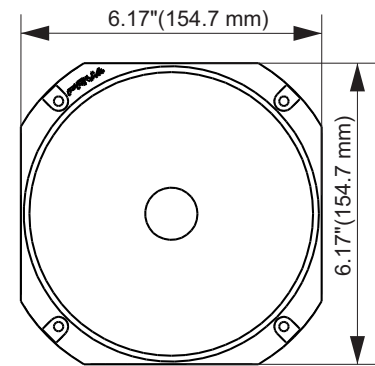
WGP275Ph

Professional Compression Driver

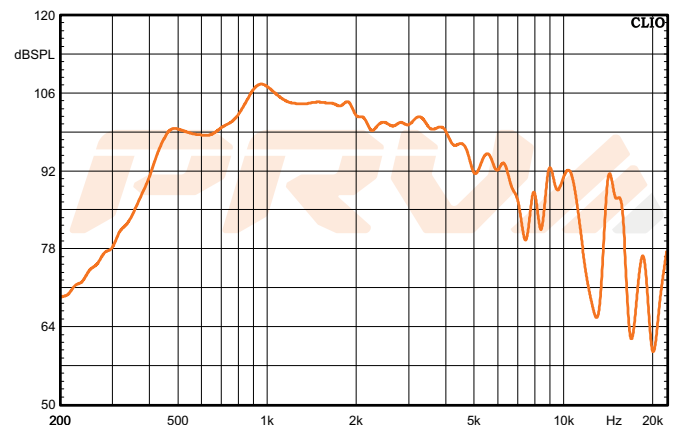


KEY FEATURES

- 1" Exit driver and waveguide combo
- 100 Watts continuous power handling
- 106 dB Sensitivity
- Phenolic Diaphragm
- 500 - 6,500Hz



Frequency Response Measured at 2.83v/1m



GENERAL SPECIFICATIONS

Exit Throat Diameter	1" (25.4mm)
Nominal Impedance	8 Ohms
Rated Power Handling	100 Watts
Program Power	200 Watts
Sensitivity 2.83V at 1m*	106 dB
Recommended High Pass Crossover**	500 Hz***
for Full Power Handling	*12 db/oct Crossover
Frequency Response at -10dB	500-6,500Hz
Voice Coil Diameter	2" (51 mm)
Voice Coil Wire	Copper
Voice Coil Former Material	Kapton®
Diaphragm Material	Phenolic Resin
Flux Density	1.1 T
Magnet Material	Ferrite

EXTRA INFO

Overall depth	6.53" (166 mm)
Mounting Depth	6.14" (156 mm)
Overall Width	6.17" (154.7 mm)
Overall Height	6.17" (154.7 mm)
Net Weight	2.24 lbs (1.02 kg)
Shipping Weight	2.47 lbs (1.12 kg)
Carton Dimensions W x L x H	6.16" x 6.16" x 6.89" (156.5 x 156.5 x 175)

PRV AUDIO USA (USA and Export) PRV AUDIO BRAZIL (Brazilian Sales Only)
 FORT LAUDERDALE, FL SAO LEOPOLDO, RS
 support@prvaudio.com vendas@pvaudio.com.br
 www.prvaudio.com www.pvaudio.com.br