

WG270Ph

Professional Compression Driver



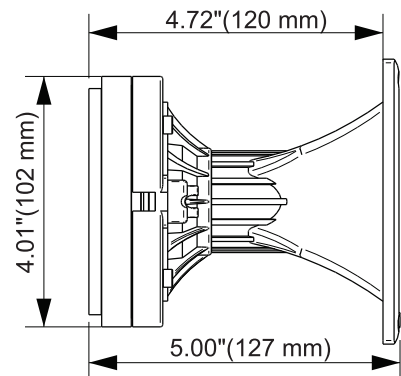
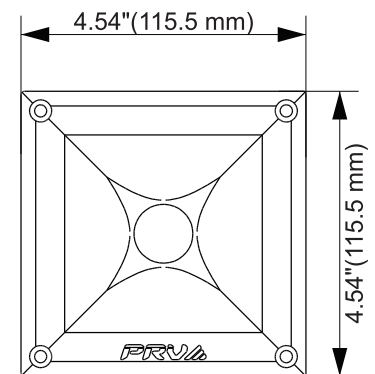
KEY FEATURES

- 2.0" Copper wire voice coil and 1" exit
- 75 Watts continuous power handling
- 106.5 dB Sensitivity
- WG11-25 Plastic wave guide



GENERAL SPECIFICATIONS

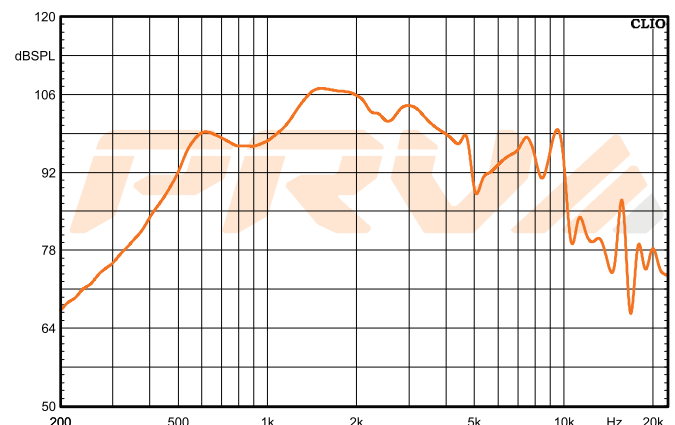
Exit Throat Diameter	1" (25.4 mm)
Nominal Impedance	8 Ohms
Rated Power Handling	75 Watts
Program Power	150 Watts
Sensitivity 2.83V at 1m*	106.5 dB
Recommended High Pass Crossover**	500 Hz***
for Full Power Handling	*12 db/oct Crossover
Frequency Response at -10dB	600 - 8,000Hz
Voice Coil Diameter	2"(50 mm)
Voice Coil Wire	Copper
Voice Coil Former Material	Kapton®
Diaphragm Material	Phenolic
Flux Density	1.10 T
Magnet Material	Ferrite



EXTRA INFO

Overall Depth	5.00" (127 mm)
Mounting Depth	4.72" (120 mm)
Overall Width	4.54" (115.5 mm)
Overall Height	4.54" (115.5 mm)
Baffle Cutout Diameter	4.01" (102 mm)
Net Weight	2.69 lbs (1.22 kg)
Shipping Weight	3.02lbs (1.37 kg)
Carton Dimensions W x L x H	4.72" x 4.72" x 5.31" (120 x 120 x 135 mm)

Frequency Response Measured at 2.83v/1m



PRVA AUDIO USA (USA and Export) PRVA AUDIO BRAZIL (Brazilian Sales Only)
 FORT LAUDERDALE, FL SAO LEOPOLDO, RS
 support@prvaudio.com vendas@pvaudio.com.br
 www.prvaudio.com www.pvaudio.com.br