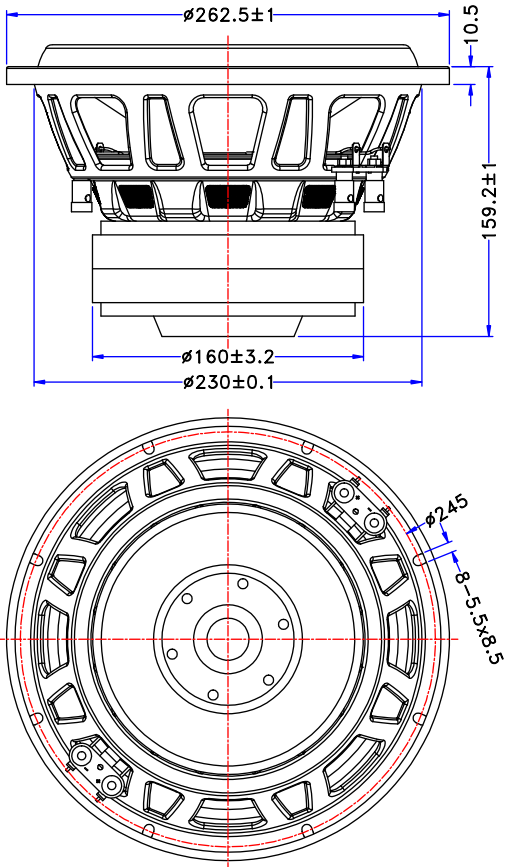




# 10" Max-X High Excursion DVC Subwoofer 2 Ohms Per Coil

MX10-22



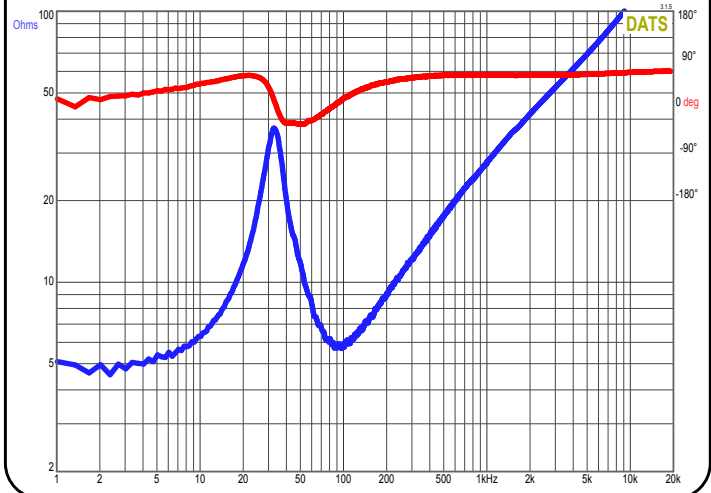
## PARAMETERS

Impedance	2+2 ohms
Re	4.76 ohms
Le	4.33 mH @ 1 kHz
Fs	32.6 Hz
Qms	3.59
Qes	0.53
Qts	0.46
Mms	179 g
Cms	0.13 mm/N
Sd	356.7 cm <sup>2</sup>
Vd	413.8 cm <sup>3</sup>
BL	18.2 Tm
Vas	23.7 liters
Xmax	11.6 mm
XBL (Klippel verified excursion @ 70% BL)	13.7 mm
VC Diameter	2.5"
SPL	86.1 @ 2.83V/1m
RMS Power Handling	400 watts
Usable Frequency Range	25 - 500 Hz

## FEATURES

- High excursion and maximized surface area for excellent displacement capability
- Seamless dish cone is extremely rigid and durable with a sleek and modern look
- Custom tooled surround allows long throw without sacrificing cone area
- Extensive venting cools the voice coil enabling high power handling with low power compression
- Dual spiders maintain linear excursion for lower distortion even when pushed to the limit
- The dual 2 ohm voice coils give you the ability to get the most out of any amplifier

## IMPEDANCE/PHASE



## FREQUENCY RESPONSE

