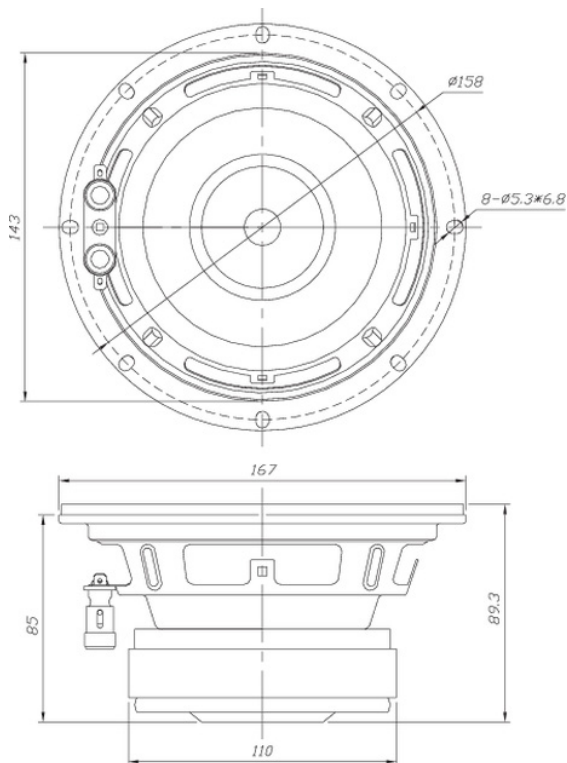




DCS165-4 6-1/2" Classic Subwoofer 4 Ohm

DCS165-4



PARAMETERS

Impedance	4 ohms
Re	3.4 Ohms
Le	1.43 mH @ 1 kHz
Fs	35.7 Hz
Qms	6.62
Qes	0.36
Qts	0.34
Mms	39.5g
Cms	0.5 mm/N
Sd	124.7 cm ²
Vd	74.8 cm ³
BL	9.15 Tm
Vas	12.1 liters
Xmax	6 mm
VC Diameter	38.5 mm
SPL	87.4 dB @ 2.83V/1m
RMS Power Handling	100 watts
Usable Frequency Range (Hz)	36 - 1,100 Hz

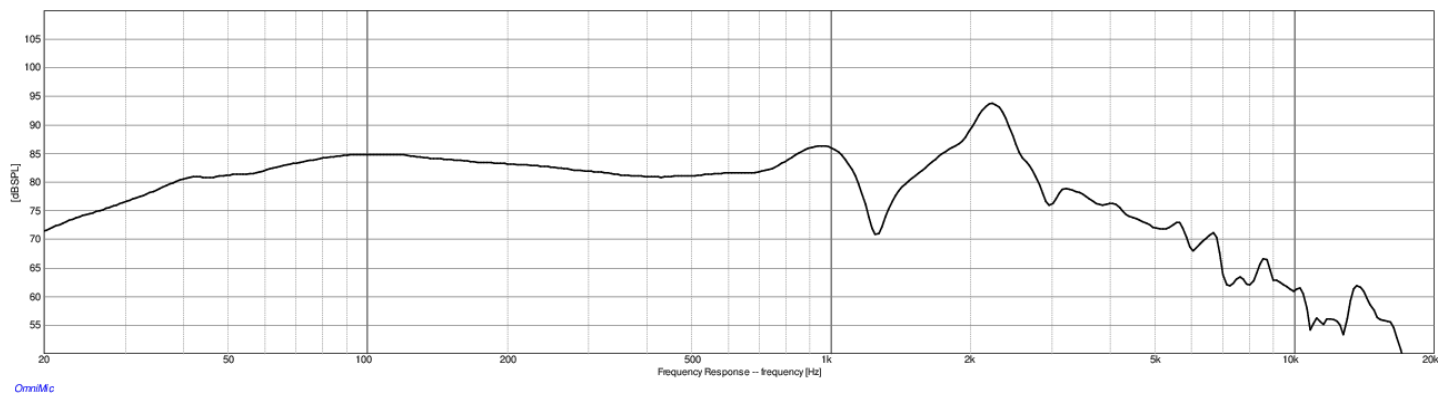
FEATURES

- Sturdy stamped steel frame
- Vented pole piece and bumped back plate
- Inductance-reducing copper pole piece cap
- Treated non-pressed paper/Kevlar cone with rubber surround
- 4-layer VC with polyimide former

IMPEDANCE/PHASE



FREQUENCY RESPONSE



Note: 1/12th octave smoothing - nearfield response included in graph below 450 Hz.

Black = 0°