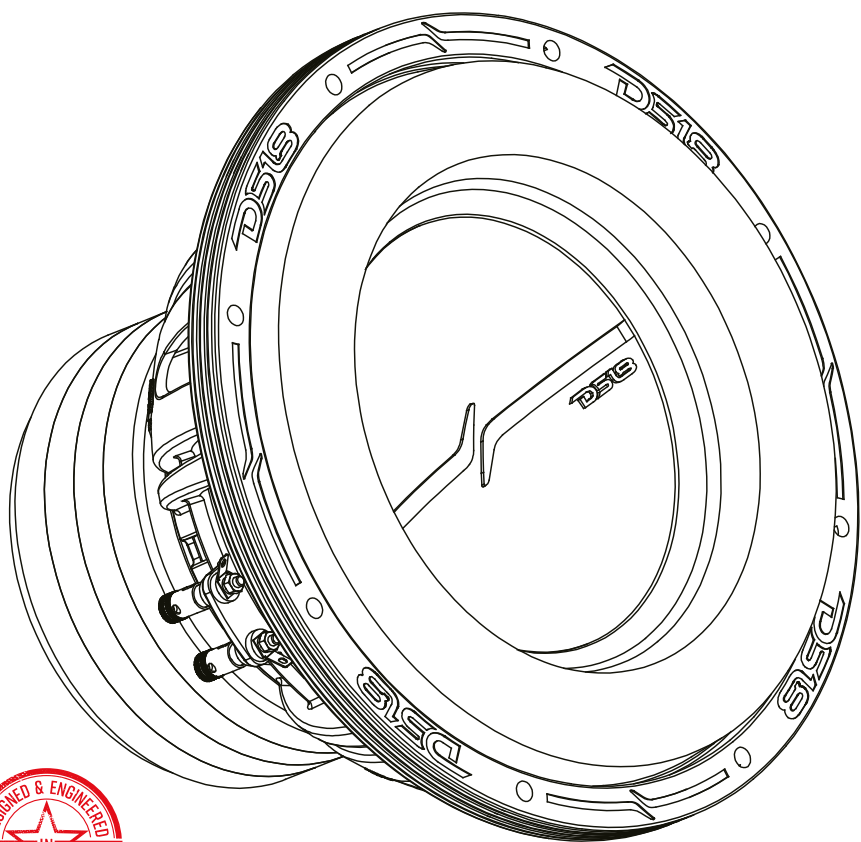




DS18[®]

OWNER'S MANUAL

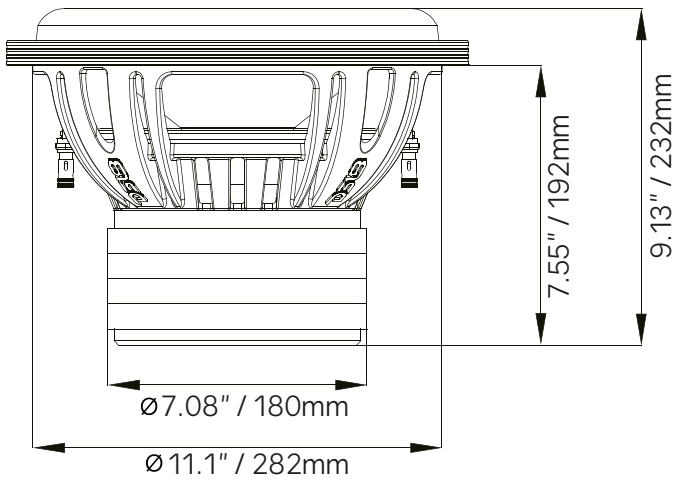
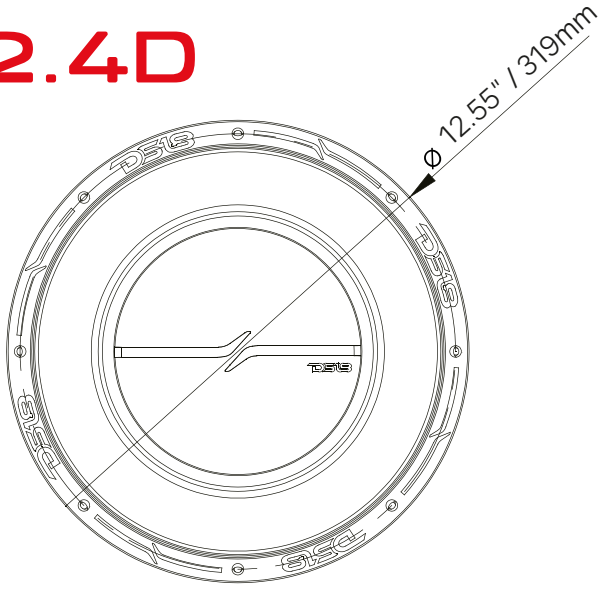
ZXi12.4D
HIGH EXCURSION
12" SUBWOOFER DVC 4-OHM



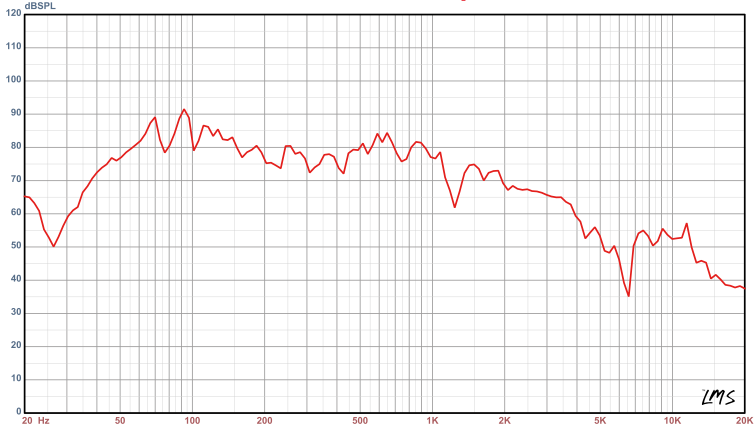
ENGLISH | ESPAÑOL



ZXi12.4D



SPL vs Freq





Specifications:

Nominal Diameter.....	12"
Nominal Impedance	4 + 4 ohms
RMS Power Handling	1000 Watts
MAX Power Handling	2000 Watts
Sensitivity (1w/1m)	89.2dB
Frequency Response.....	10Hz - 1.8KHz
Recommended Lo Pass Crossover.....	90Hz

Motor:

Voice Coil Diameter.....	3" (76.5mm)
Voice Coil Former Material.....	Black Aluminum
Winding Material.....	CCAW
Cone Material.....	Non-Pressed Paper
Dust Cap Material.....	PPI
Surround Material.....	Foam
Basket Material.....	Aluminum
Magnet Material.....	Ferrite
Magnet Weight.....	224 Oz (4 x 56 oz)
Displacement Volume.....	0.14 ft3 / 3.99 L

Thiele & Small Parameters:

Equivalent Volume	Vas.....	15.635L
Excursion (one way)	Xmax.....	32mm
Free Air Resonance	Fs	31.4Hz
Mechanical Factor	Qms	5.274
Electrical Factor	Qes.....	0.594
Total Factor	Qts.....	0.534
Moving Mass	Mms.....	238.433g
Compliance	Cms.....	0.065
Bl Factor	Bl.....	14.55
Voice Coil Inductance	Le.....	12.89 mh
Diaphragm Area	Sd.....	530.93cm
Dc Resistance	Re.....	4.0+4.0 ohms
Efficiency Bandwith Product	EBP.....	52.8

Measurements:

Overall Diameter.....	12.55" / 319mm
Overall Depth.....	9.13" / 232mm
Front Mount Baffle Cutout.....	11.1" / 282mm
Mouting Depth.....	7.55" / 192mm
Motor Diameter.....	7.08" / 180mm



FOR MORE INFORMATION
PLEASE VISIT
DS18.COM

WE LIKE IT LOUD

The DS18 logo, featuring the letters "DS18" in a bold, italicized, sans-serif font. The "1" is a vertical bar. The logo is positioned at the end of a thick red horizontal line that has a stylized, angular shape on its left side.

DS18[®]