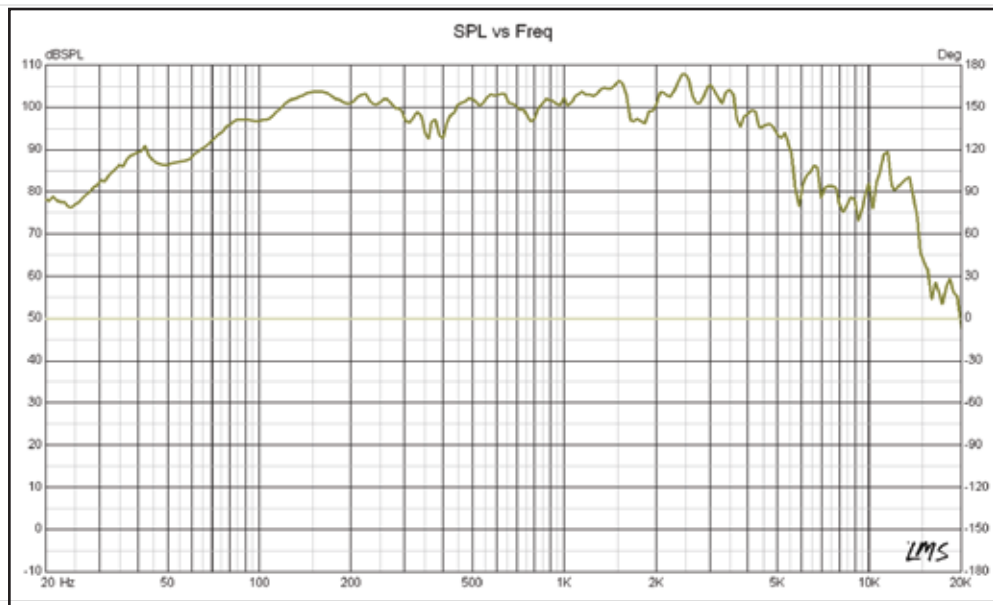




12" MIDRANGE LOUDSPEAKER

PRO-X12.4M

- MAX Power Handling: 900 Watts
- RMS Power Handling: 450 Watts
- Frequency Response: 63.5Hz-11.3KHz
- Nominal Impedance: 4 ohms
- Mounting Depth: 126 mm (4.96")
- Sensitivity (1W/1M): 97.5dB
- Magnet Material: Ferrite
- Magnet Weight: 60oz
- Voice Coil Material: Kapton
- Voice Coil Diameter: 2.5" (65.5 mm)



PRO-X12.4M

12" MIDRANGE LOUDSPEAKER



900W MAX

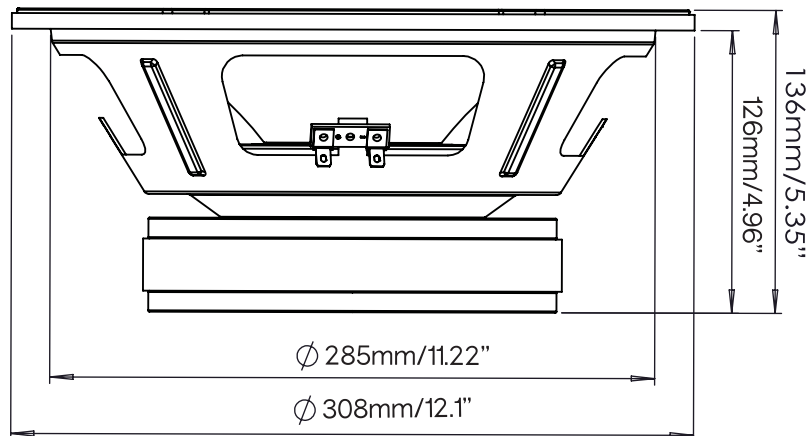
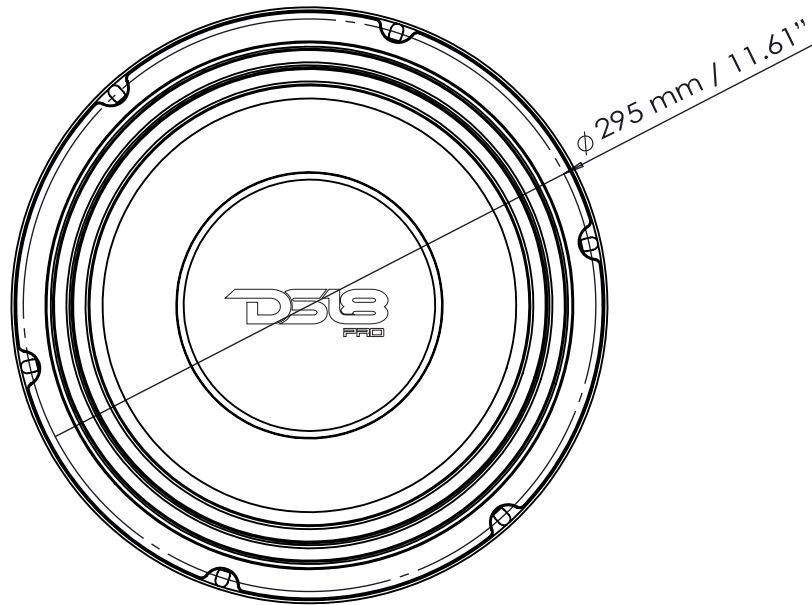
450W RMS

4 OHMS

USER'S MANUAL

PRO-X12.4M

12" MIDRANGE
LOUDSPEAKER



Data Sheet

Specifications:

| | |
|-------------------------------------|----------------|
| Nominal Diameter | 12" (308 mm) |
| Nominal Impedance | 4 ohms |
| RMS Power Handling | 450 Watts |
| Maximum Power Handling | 900 Watts |
| Sensitivity (1w/1m) | 97.5dB |
| Frequency Response | 63.5Hz-11.3KHz |
| Recommended Hi Pass Crossover | 120 Hz |

Midrange:

| | |
|----------------------------------|----------------|
| Voice Coil Diameter | 2.5" (65.5 mm) |
| Voice Coil Former Material | Kapton |
| Winding Material | CCAW |
| Basket Material | Steel |
| Magnet Weight | 60 oz |

Thiele & Small Parameters:

| | | |
|--------------------------|------------|-----------|
| Equivalent Volume | Vas | 23.78 LTR |
| Excursion | Xmax | 10.5 mm |
| Free Air Resonance | Fs | 64.6 Hz |
| Mechanical Factor | Qms | 2.2 |
| Electrical Factor | Qes | 0.485 |
| Total Factor | Qts | 0.392 |
| Dc Resistance | Re | 3.2 ohms |

Measurements:

| | |
|---------------------------------|-----------------|
| Overall Diameter | 308 mm (12.12") |
| Front Mount Baffle Cutout | 285 mm (11.22") |
| Mounting Depth | 126 mm (4.96") |
| Overall Depth | 136 mm (5.35") |

PRO-X12.4M 12" MIDRANGE LOUD SPEAKER

WeLikeItLoud

