

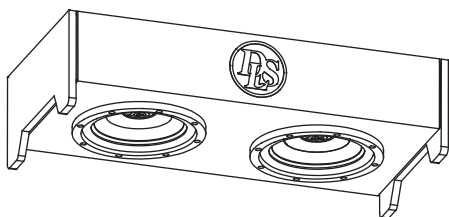
# PESB28

User manual

2x8" Subwoofer enclosure



PERFORMANCE



### Welcome to DLS!

Thank you for buying a DLS Performance PESB28 subwoofer enclosure. For us, it's all about the sound experience. We care deeply about sound and construction quality. In order for your experience to be as optimal as possible, it is important that you fully read this manual, preferably before you start your installation. Keep the manual in a safe and accessible place for future reference.

Your subwoofer enclosure must be installed correctly in order to work as intended. Make sure you have all the necessary tools nearby before starting and that you are completely confident in how to proceed. If you feel the slightest uncertainty; feel free to take the help of an experienced installer or a car audio dealer.

### Warranty

This product is covered by warranty, depending on the conditions in the country where it is sold. If the product is returned for service, please include the original dated receipt with the product.

### DECLARATION OF CONFORMITY

DLS products for vehicles are manufactured in accordance with the EU directive EEC 95/54 (72/245/ EEC) and are marked with the approval number. They are also marked in accordance with the WEEE-directive 2012/19/EC. The products are also produced in accordance with the EU RoHS directive 2015/863/EU.

# DLS PERFORMANCE

## *PESB28*

### Content

Welcome	1
Included parts	2
Installation	2
Wiring diagram	2
Parallel connection	2
Singular connection	3
Serial connection	3
First Setup	3
Running-in time	4
DLS support	4
Specifications	5
Product markings	6

DLS products are engineered by DLS Sweden,  
a part of:

**Winn Scandinavia AB**

Elementvägen 15 - SE-702 27 Örebro - Sweden

Tel: +46 19 20 67 65 - E-mail: info@dls.se

www.dls.se

**Designed & Sound tuned in Sweden.**



# Included parts

**Included products:**  
1pc PESB28 subwoofer enclosure

**Included in box:**  
2pcs Jumpwire  
1pc Manual

# Installation

Your PESB28 subwoofer enclosure has dual 2 ohm terminals. How to connect the subwoofer enclosure depends on what type of amplifier you use and its optimum load. The best way to do a correct connection is to follow the instructions in the manual for the amplifier. Most amplifiers today have built-in low pass crossover and possibilities to connect your subwoofer in bridged mode.

For wiring, use high class speaker wires, min AWG13 (2.5 mm<sup>2</sup>).

The PESB28 subwoofer enclosure has been constructed to make it easy to place the enclosure in your vehicle with the subwoofers directed downwards (down firing).

To make sure that the enclosure does not move around while you're driving, we recommend fastening the enclosure in the vehicle. One alternative is to use mounting brackets and screws to securely fasten it in position.



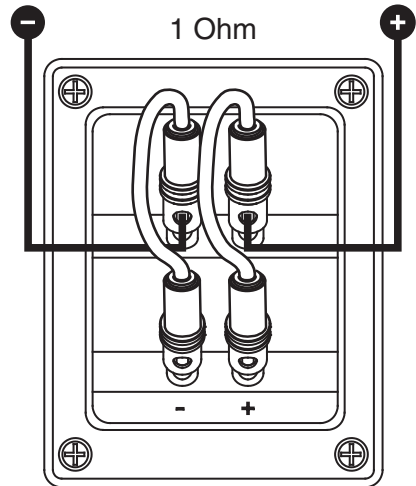
**NOTE!** These accessories are not included with the subwoofer enclosure.

# Wiring diagram

**Warning!** Do not expose your amplifier to loads below the manufacturer's recommendations. Below you will find some examples of different terminal wiring schematics. Use the following examples to determine the required impedance load of your connection.

## Parallel connection

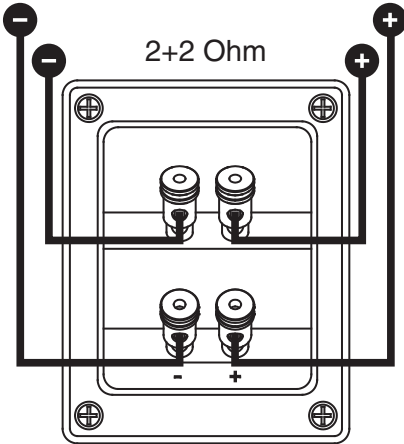
Two 2+2 Ohm terminals = 1 Ohm load  
(with jumpwires)





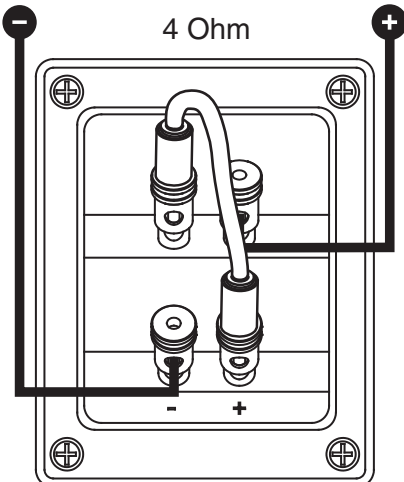
## Stereo connection

Two 2+2 Ohm terminals = 2+2 Ohm load  
(no jumpwire)



## Serial connection

Two 2+2 Ohm terminals = 4 Ohm load  
(with jumpwire)



## First setup

For first time use, follow the instructions below to use the subwoofer enclosure in combination with an amplifier:

1. Install the enclosure in the desired placement (normally in the trunk).
2. Set the amplifiers LPF crossover between 60 - 100 Hz.
3. Set the amplifiers gain to about 50 or 60% (half or a bit more).
4. Set the head unit bass control to flat (0) and disconnect loudness, bass boost etc.

These settings will give you a good starting point for the best performance!



## Running-in time

Allow the subwoofers to play for at least 15-20 hours in order to perform at its possible best. This run-in can be made with bass tone sweep or with just music. Start at a moderate volume and increase the volume step by step during the running-in period. After the 15-20 hour run in session the performance and characteristics will be in the correct condition.



## DLS support

For technical assistance, ask your car audio dealer where the product was sold or the distributor in your country. You can always contact the DLS Helpdesk in Sweden at this e-mail: [info@dls.se](mailto:info@dls.se). Information can also be found on our site [www.dls.se](http://www.dls.se). We follow a policy of continuous advancement in development. For this reason, all or part of specifications and designs may be changed without prior notice.



# Specifications

## DLS Performance PESB28 Enclosure

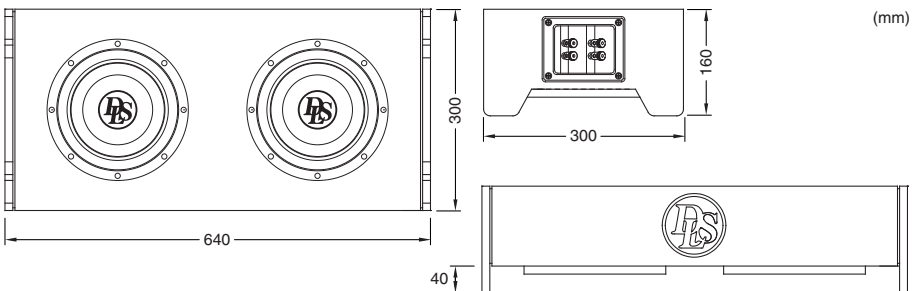
### Technical Specifications

Article number:	CS-PESB28
Component:	Subwoofer enclosure
Type:	Sealed down firing
Impedance:	2+2 Ohm
Size:	2x8" / 2x200mm
RMS power:	400W
MAX power:	800W
PEAK power:	1200W
Weight:	10.3 kg
Dimensions (LxWxH):	640x300x160mm
Enclosure volume:	15 litres

## DLS Performance PE8W28 Subwoofer

### Technical Specifications

Article number:	CS-PE8W28
Size:	8" / 200mm
Impedance:	1+1 Ohm
RMS power:	200W
MAX power:	400W
PEAK power:	600W
Sensitivity:	85dB 1W/1M
Voice coil size:	1.5" / 38mm
Voice coil material:	4-layer copper voice coil / Kapton former
Cone material:	Coated non pressed paper / PP dust cap
Magnet:	32oz ferrite
Freq. range:	25Hz–300Hz
Weight:	3.1kg





# Product markings



The crossed-out wheellie bin symbol means that the product, literature and packaging included must be taken to separate collection at the end of their working life. Do not dispose of these products as unsorted municipal waste: take them for recycling. For info on your nearest recycling point, check with your local waste authority.



This product has been granted with the CE certification mark to show that the product follows the health, safety, and environmental protection standards for products sold within the European Economic Area (EEA).



DLS products complies with the relevant provisions of the RoHS Directive for the European Union. In common with all Electrical and Electronic Equipment (EEE) the product should not be disposed of as household waste. Alternative arrangements may apply in other jurisdictions.



DLS is a global partner of the European Mobile Media Association, an organisation that focus on promoting the custom made mobile media installations to consumers.

We follow a policy of continuous advancement in development. For this reason all or part of specifications & designs may be changed without prior notice. We reserve for possible typos, factual or numeric errors that may have been printed on any products, package designs, user manuals and/or other included accessories.



PERFORMANCE