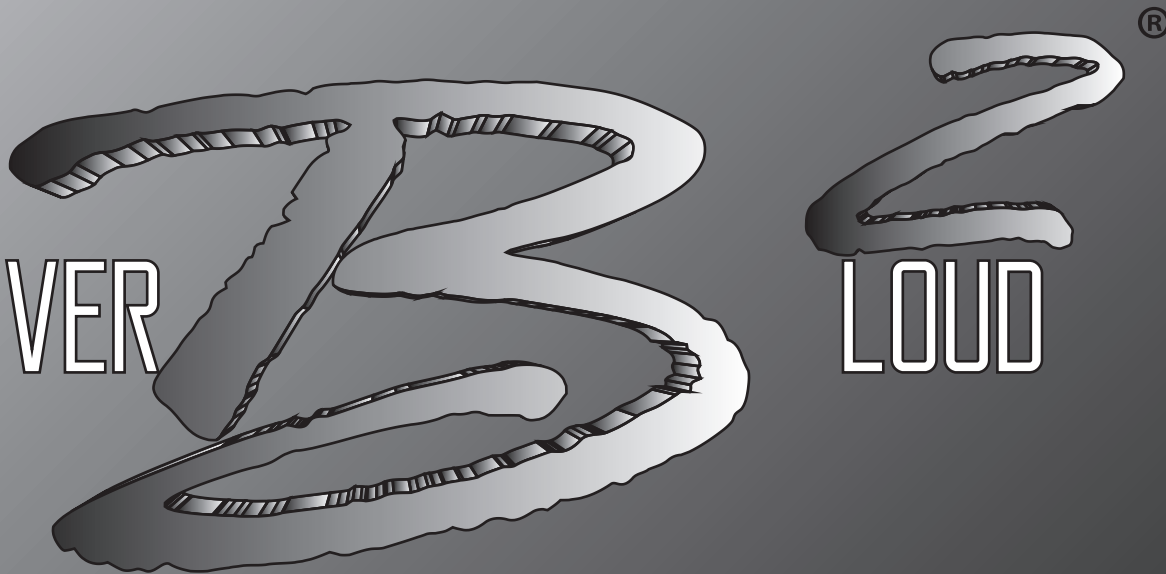


IT CAN NEVER



LOUD

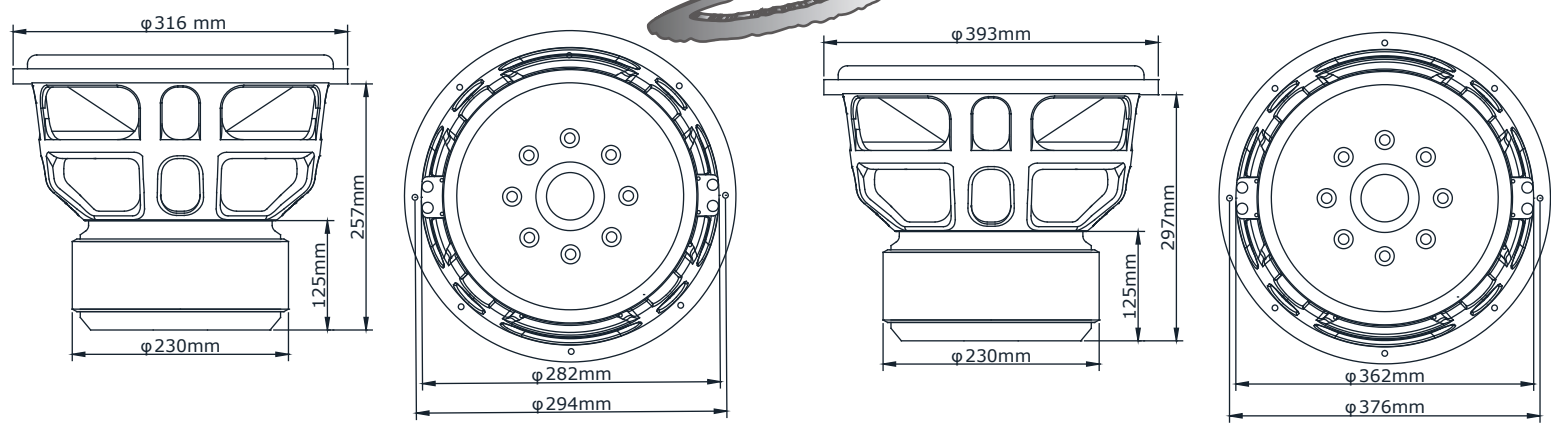
RAGE XL 12/15 USER MANUAL

PRODUCT ID:

RAGEXL12D1V3 / RAGE XL12D2V3
RAGEXL15D1V3 / RAGEXL15D2V3

WWW.B2AUDIO.COM - WWW.FACEBOOK.COM/B2AUDIO - [@B2AUDIOGRAM](https://www.instagram.com/B2AUDIOGRAM)





MODEL:	RAGE XL12	RAGE XL1202	RAGE XL1501	RAGE XL1502
Sensitivity:	88.6 dB	86 dB	90.7 dB	87.4 dB
Nominal Impedance:	Dual 1 Ω	Dual 2 Ω	Dual 1 Ω	Dual 2 Ω
DC Resistance (DC):	2 Ω	3.8 Ω	2 Ω	3.8 Ω
Voice Coil Dim:	3"	3"	3"	3"
Power Handling*:	3500 Watts	3500 Watts	3500 Watts	3500 Watts
Peak Dynamic Power:	10 KW / 13.4 HP	10 KW / 13.4 HP	10 KW / 13.4 HP	10 KW / 13.4 HP
XMAX one way (mm):	23	23	23	23
XMECH one way (mm):	52	52	52	52
VAS:	23.7 L	22.2 L	58.2 L	56.4 L
FS:	28 Hz	31 Hz	26.7 Hz	27 Hz
QES:	0.54	0.66	0.69	0.74
QMS:	5.38	5.99	5.99	5.5
QTS:	0.49	0.59	0.59	0.66
CMS um/N:	80	70	70	70
MMS Gram:	403.9	376.5	507.6	493.3
BL²/RE:	131.5	111.1	128	116.1
SD CM²:	472.6	472.6	765.1	765.1
Motor Assembly:				
Displacement:	8.9 L / .314 cu.ft	8.9 L / .314 cu.ft	12.6 L / .445 cu.ft	12.6 L / .445 cu.ft

ENCLOSURE SUGGESTIONS

TYPE	SEALED	PORTED COMPACT	PORTED	BP 4TH
RAGE XL 1201	28 L / 1 cu.ft	37 L / 1.32 cu.ft	70 L / 2.47 cu.ft	
	Qtc 0.523	P.A. 12.2 sq.in L:15.2"	P.A. 30.98 sq.in L:26.9"	2.5 Ratio
	F3: 53 Hz	FB: 38 Hz	FB: 33 Hz	
RAGE XL 1202	28 L / 1 cu.ft	50 L / 1.76 cu.ft	75 L / 2.66 cu.ft	
	Qtc 0.605	P.A. 13.94 sq.in L:11.2"	P.A. 30.98 sq.in L:24.7"	2.5 Ratio
	F3: 46 Hz	FB: 38 Hz	FB: 33 Hz	
RAGE XL 1501	50 L / 1.77 cu.ft	82.6 L / 2.92 cu.ft	133 L / 4.7 cu.ft	
	Qtc 0.649	P.A.32.52 sq.in L:17.5"	P.A. 32.52 sq.in L:22.6"	2.5 Ratio
	F3: 40 Hz	FB: 38 Hz	FB: 27 Hz	
RAGE XL 1502	50 L / 1.77. cu.ft	82.6 L / 2.92 cu.ft	152 L / 5.36 cu.ft	
	Qtc 0.689	P.A.32.52 sq.in L:17.5"	P.A. 32.52 sq.in L:19.2"	2.5 Ratio
	F3: 39 Hz	FB: 38 Hz	FB: 27 Hz	

*It's essential that our speakers are given time to allow the suspension to soften up. Depending on use, this may take several weeks. While this process is undergoing, it is not recommended to apply full amplification power according to the speaker's specs. Once the moving parts have been broken in, the performance of your speaker will increase. Abuse of the the unit is **not** covered by warranty. The warranty does not cover (1) Speakers that have been used for spl purpose in competitions, (2) Damage caused by amplifier clipping or distortion, (3) Exposure to water, oil, solvent & excessive temperatures +/- (5) Cost of shipping to / from authorized service center.