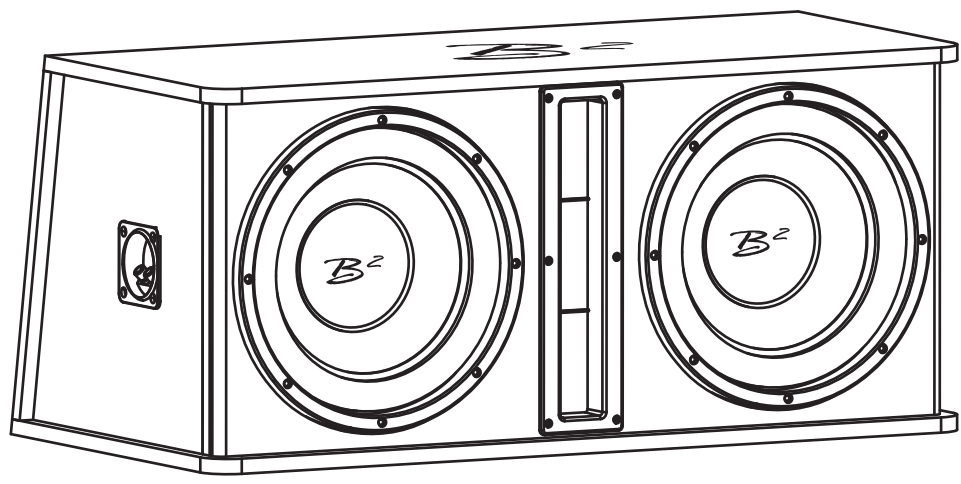


IT CAN NEVER **B<sup>2</sup>** LOUD

# DVPE 28

<b>2 x 8"</b> CHASSIS DIAMETER	<b>800 W</b> MAX POWER
<b>90 DB</b> SENSITIVITY	<b>35 HZ~500 HZ</b> FREQUENCY RESPONSE
<b>1.5" / 38.1 MM</b> 4 LAYER DUAL VOICE COIL	



### ENCLOSURE SPECIFICATIONS

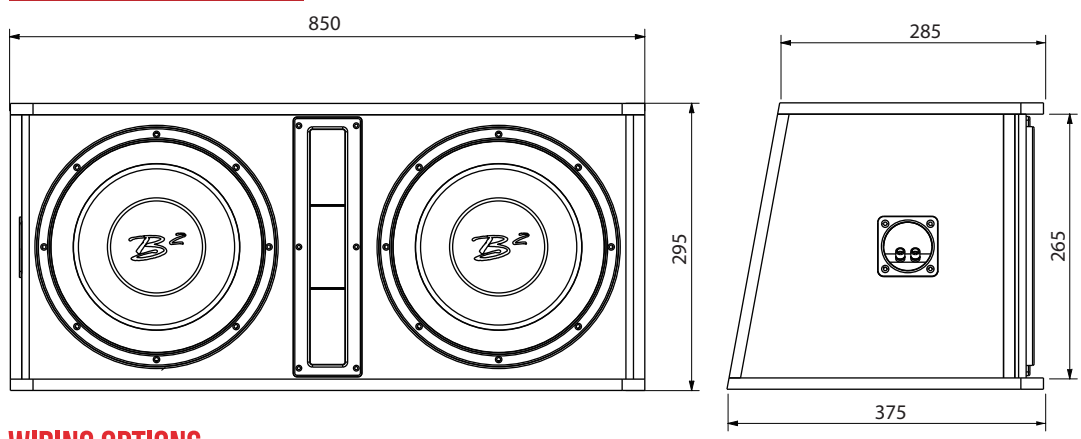
**Dimensions:** 850x295x(375) mm  
**Volume:** 55.6 L / 1.936 cu.ft  
**Box Tuning:** 40 Hz  
**Port Area:** 159 cm<sup>2</sup> / 5.6"  
**Port Type:** J - Shaped L+ R

### SUBWOOFER SPECIFICATION

**Diameter:** 2 x 8"  
**Max Power:** 800 Watts  
**RMS Power:** 400 Watts  
**Impedance:** 2 + 2 Ohm  
**Frequency Response:** 35 Hz~500 Hz  
**Sensitivity (1w/1m):** 90 dB  
**Voice Coil Diameter:** 1.5" / 38.1 mm  
**Cone:** Non Pressed Paper  
**Magnet:** 30 Oz x 2

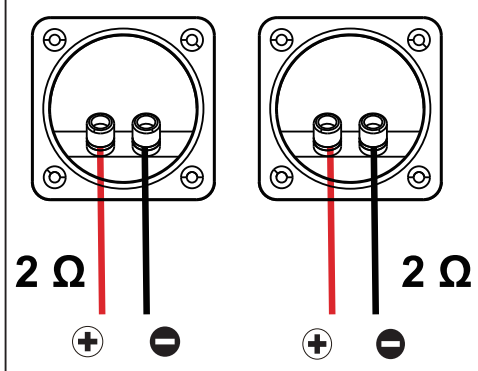
# IT CAN NEVER **B<sup>2</sup>** LOUD DVPE 28

## ENCLOSURE DIMENSIONS

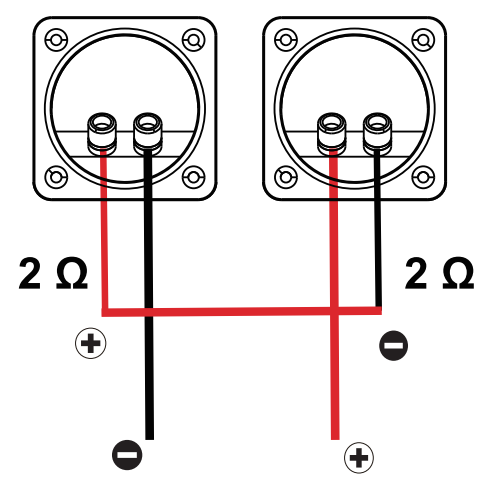


## WIRING OPTIONS

**PARALLEL = 1 Ω (STEREO 2 +2 OHM)**



**SERIAL = 4 Ω**



WIRING IN PARALLEL REQUIRES ALL POSITIVE LEADS ARE RAN TOGETHER TO THE AMPLIFIERS POSITIVE SPEAKER TERMINAL. THE SAME GOES FOR THE NEGATIVE LEADS, THESE WILL CONNECT TO THE NEGATIVE SPEAKER TERMINAL ON THE AMPLIFIER.

IF YOU HAVE A MULTICHANNEL AMPLIFIER, YOU CAN ALSO USE A STEREO CONNECTION AND HAVE A LOAD OF 2 OHM PER CHANNEL